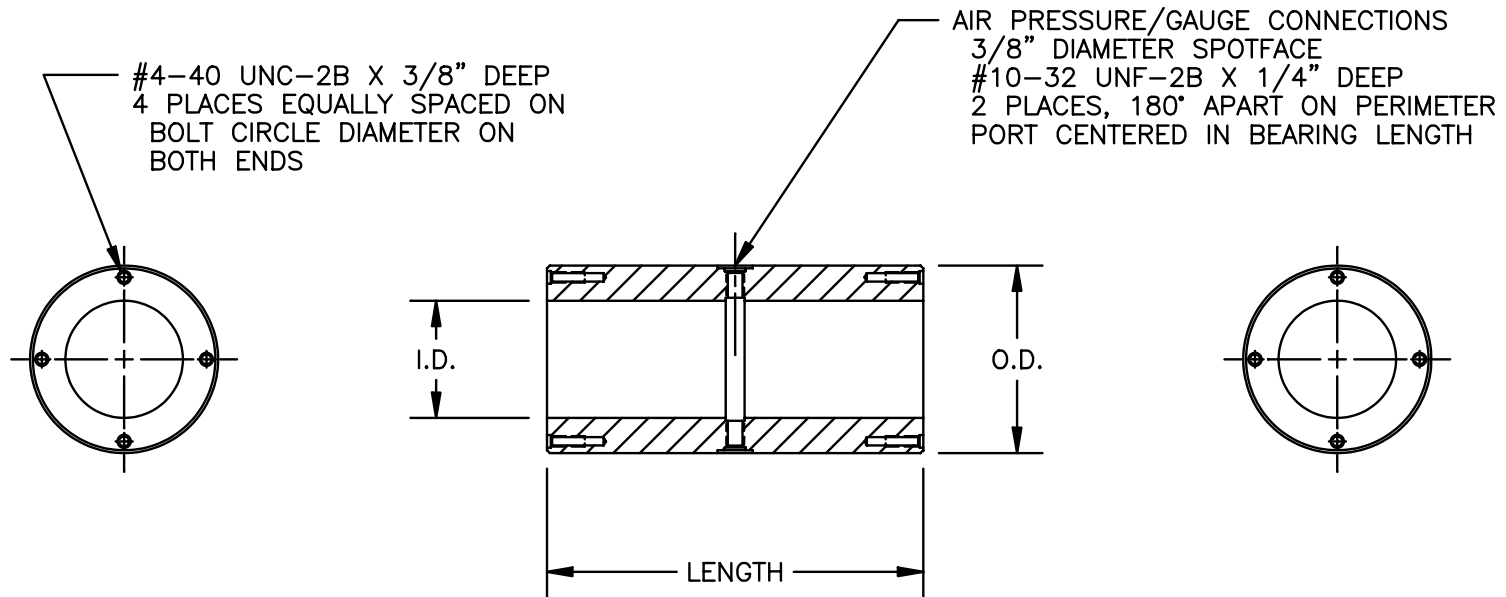


MODEL	I.D.	O.D.	LENGTH	BOLT CIRCLE	LOAD FACTOR*	SHAFT DIA. \varnothing .0001/IN
E.P. .625	.6255	1.25	2.00	1.000	.10	.6250 +.0000/--.0002
E.P. .750	.7505	1.50	2.50	1.250	.17	.7500 +.0000/--.0002
E.P. 1.000	1.0005	1.75	3.25	1.500	.30	1.0000 +.0000/--.0002
E.P. 1.250	1.2505	2.00	4.00	1.750	.47	1.2500 +.0000/--.0002
E.P. 1.500	1.5005	2.25	4.75	2.000	.68	1.5000 +.0000/--.0002



* MULTIPLY BY AIR PRESSURE (PSI) TO GIVE WORKING RADIAL LOAD CAPACITY IN POUNDS.

TOLERANCES UNLESS OTHERWISE SPECIFIED		PROFESSIONAL INSTRUMENTS COMPANY 4601 HIGHWAY #7, MINNEAPOLIS, MINNESOTA 55416		
DECIMAL X ±.02 .XX ±.01 .XXX ±.005	FRACTIONAL ± 1/32"	SCALE 1=1	DRAWN BY J. NEHER APPROVED BY	
DRILLED HOLES DEPTH TO FULL DIAMETER DIAMETER +.010 - .005		TITLE LINEAR/ROTARY AIR BEARING E.P. SERIES		
EXTERNAL SURFACES 64 ✓	ANGULAR ± 5°	DATE 12/23/2003	DRAWING NUMBER 30-30580-001	REV